

PLEASE NOTE:

Expandable bars – Square bars

To retain rigidity in the middle of the bars, do not exceed the maximum expanded width/height of 1100mm.

Adjustable bars – Round bars

To retain rigidity in the middle of the bars, do not exceed the maximum expanded width/height of 900mm for the small version and 1650mm for the large version.

Step 1:

Measure the width and height of the reveal opening. For wooden windows, the reveal Height will be within the window frame as shown. (Fig. 1)

Step 2:

Position burglar guard into reveal, taking care to keep it central to the window. (Fig. 2)

Step 3:

Extend top half of burglar guard until it is flush to the top of reveal. (Fig. 3)

Step 4:

Mark and drill holes for fixing.

Step 5:

Secure into position using fixings supplied.

NB: Make sure the screw cover caps are installed as shown. (Fig. 4)

Installation is now complete.

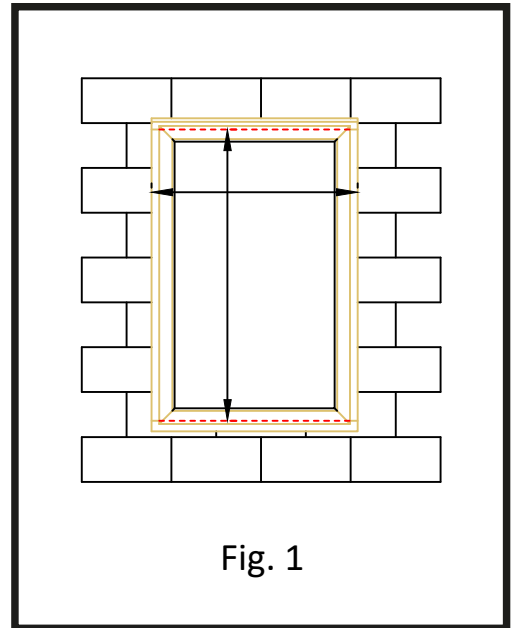


Fig. 1

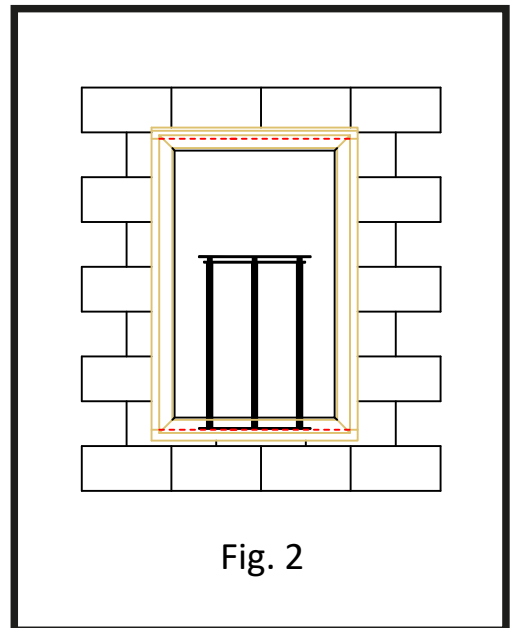


Fig. 2

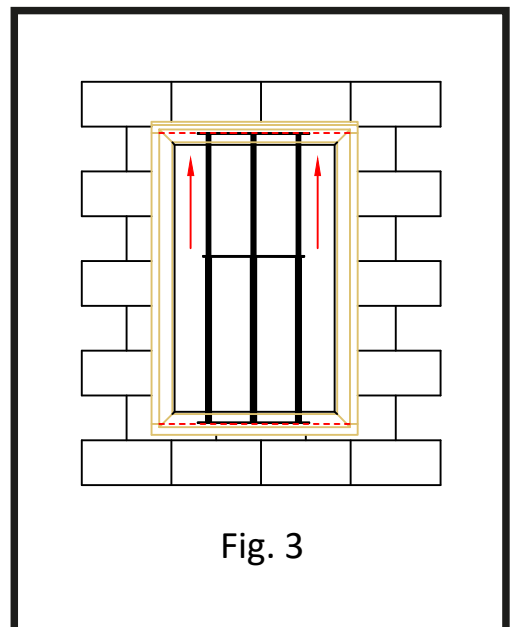


Fig. 3

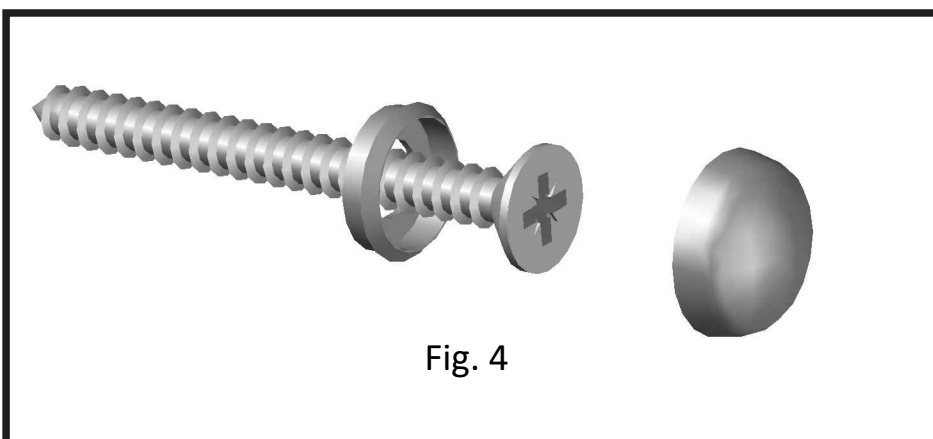


Fig. 4